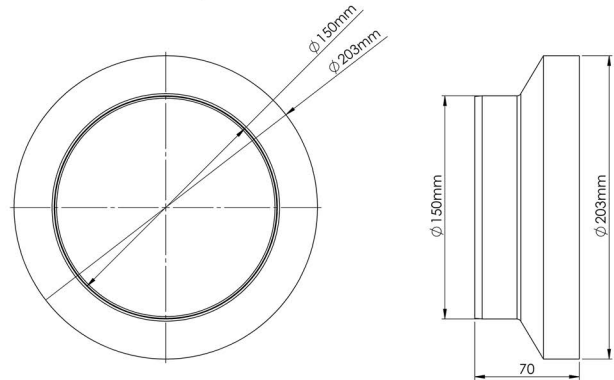
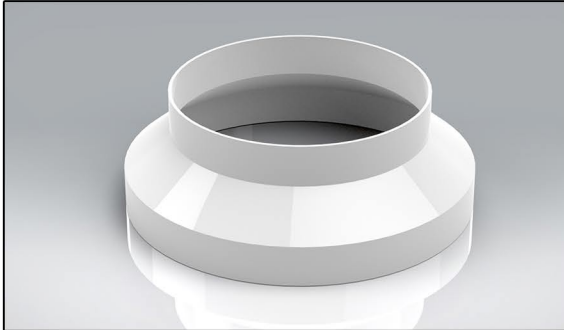


PRODUCT DATA SHEET

VKC436V

150mmØ to 200mmØ Round Reducer



MANUFACTURER:	VERPLAS LTD
PART NUMBER:	VKC436
SIZE:	SYS150
FOR USE WITH:	VERPLAS SYSTEM 150
BOX QUANTITY:	50
INDIVIDUAL WEIGHT:	70g
COLOUR	White
MIN OPERATING TEMP	-15°C
MAX OPERATING TEMP	+60°C

SPECIFICATION DETAILS

The VKC436V 150mm - 200mm diameter Reducer is manufactured from (white) High Impact Polystyrene, which has a minimum free area of 31,415mm² on the 200mm diameter side reducing 17,670mm² on the 150mm diameter side. The 150mm female fits onto a System 150 round spigot connector.

The VKC436V is fully compliant with SAP Appendix Q Product Characteristics Database recommendations for duct sizes used with both extract and Mechanical Heat Recovery Systems.

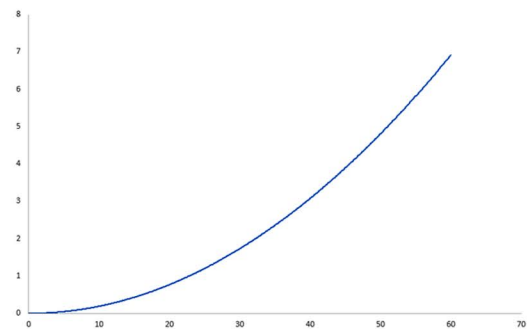
VKC436V is manufactured in compliance with Domestic Plastic Ductwork Specification DW/154 and does meet UL94HB flammability standard.

VKC436V has been designed for use with Verplas System 150 Round.

AIRFLOW	RESISTANCE
8 l/s	0.12 pa
13 l/s	0.32 pa
21 l/s	0.85 pa
30 l/s	1.73 pa
60 l/s	6.92 pa
90 l/s	15.57 pa

PERFORMANCE CURVE

Pressure Loss Pascals (Pa)



AIRFLOW RATE (L/S)

Associated Ancillaries

VKC673
150mmØ 2m
Round Pipe

VKC360
150mmØ 90°
Round Bend

VKC362
150mmØ Equal
T-Piece

