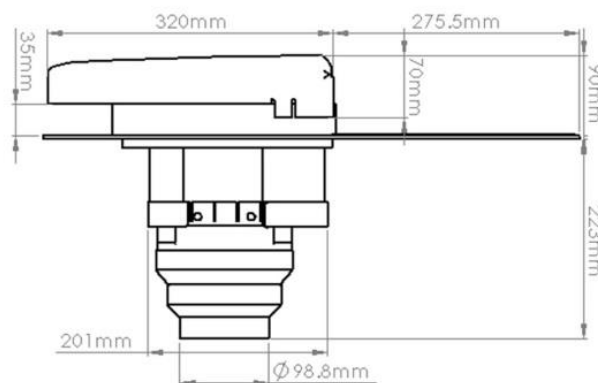
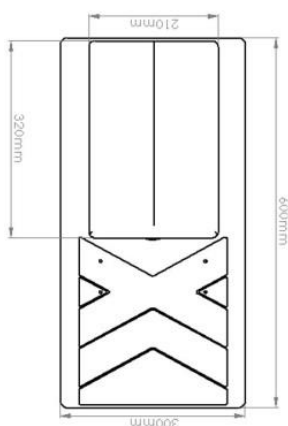


**PRODUCT DATA SHEET**

**SLATEVENT-GREY**

**SLATE VENTILATOR GREY 150MM DIA C/W CONNECTOR**



**SPECIFICATION DETAILS**

The SLATEVENT-GREY Roof Ventilator is manufactured from rigid PVC. It is suitable for 600mm x 300mm (24" x 12") and 500mm x 250mm (20" x 10") double lap slates, man-made or natural, for roofs with a pitch over 20°.

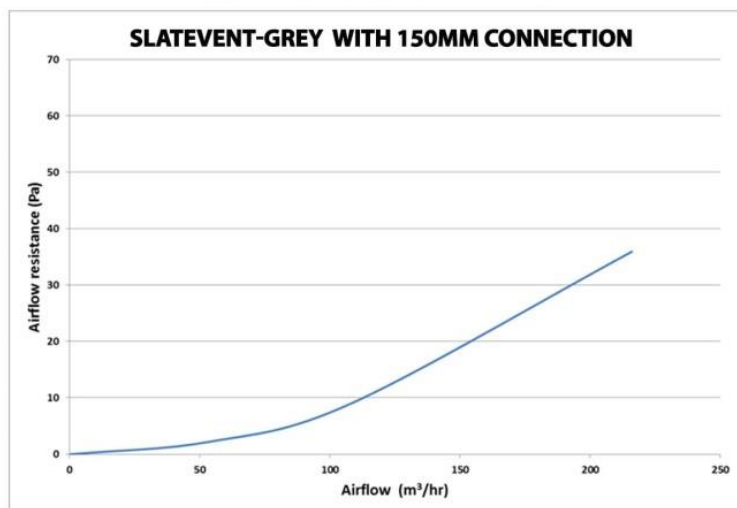
The SLATEVENT-GREY is supplied with adaptors to fit the System 100, 125 and 150 range.

Suitable for soil ventilation or mechanical extraction.

<b>Manufacturer:</b>	Verplas Ltd
<b>Part Number:</b>	SLATEVENT-GREY
<b>Size:</b>	150 - 100mm Multi - Spigot Connection
<b>For use with:</b>	Verplas System 100, 125 & 150
<b>Box quantity:</b>	1
<b>Individual Weight:</b>	1500g
<b>Colour:</b>	Grey

<b>FREE AREA</b>	20,000mm <sup>2</sup>
------------------	-----------------------

**PERFORMANCE CURVE**



AIRFLOW	RESISTANCE
8 l/s	1.00 pa
13 l/s	2.00 pa
21 l/s	3.80 pa
30 l/s	9.00 pa
60 l/s	36.00 pa
120 l/s	N/A

**Associated Ancillaries**

