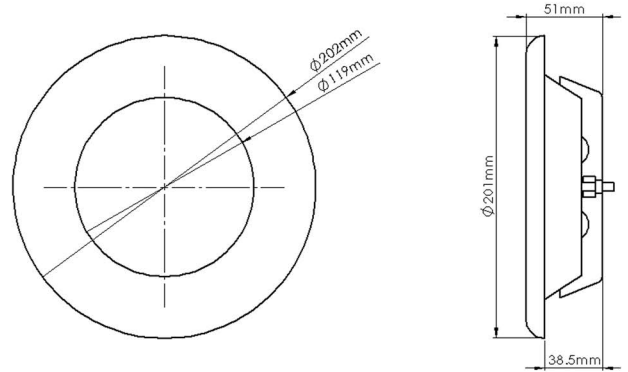
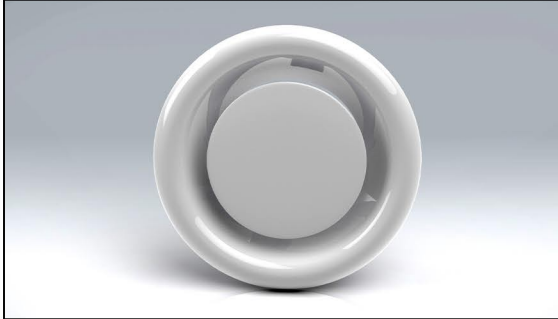


# PRODUCT DATA SHEET

## MW154

WHITE METAL CEILING AIR EXTRACT VALVE



MANUFACTURER:	VERPLAS LTD
PART NUMBER:	MW154
SIZE:	150mmØ
FOR USE WITH:	VERPLAS SYSTEM 150
BOX QUANTITY:	7
INDIVIDUAL WEIGHT:	510g
COLOUR	White
MIN OPERATING TEMP	-15°C
MAX OPERATING TEMP	+60°C

### SPECIFICATION DETAILS

The MW154 150mm diameter Round White Metal Ceiling Air Extract Valve is manufactured from White Epoxy Powder Coated Steel. It has a male spigot for connection inside of the System 150 duct.

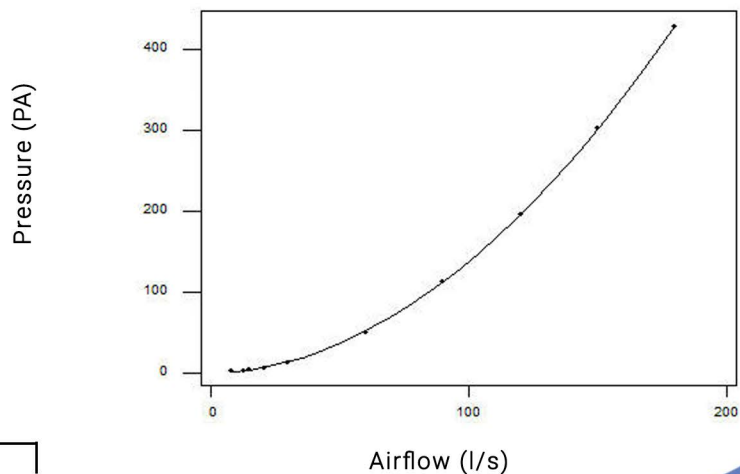
The MW154 extract air valve is fully adjustable and has a locking nut to fix the position of the controlled disc upon commissioning.

The MW154 is supplied complete with a fixing body with pre-drilled holes for installation.

MW154 has been designed for use with Verplas System 150 Round.

AIRFLOW	RESISTANCE
8 l/s	1.70 pa
13 l/s	2.60 pa
21 l/s	6.00 pa
30 l/s	12.50 pa
60 l/s	49.60 pa
120 l/s	195.20 pa

### PERFORMANCE CURVE



### Associated Ancillaries

