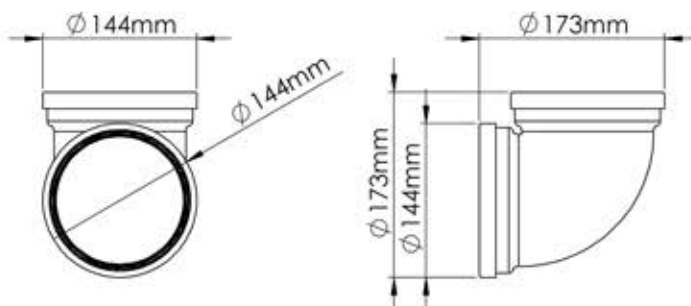


PRODUCT DATA SHEET

VSSC350

Rapid Self-Seal 125mmØ 90° Round Bend



MANUFACTURER:	VERPLAS LTD
PART NUMBER:	VSSC350
SIZE:	125mmØ
FOR USE WITH:	VERPLAS SYSTEM 125
BOX QUANTITY:	20
INDIVIDUAL WEIGHT:	270g
COLOUR	White
MIN OPERATING TEMP	-15°C
MAX OPERATING TEMP	+60°C

SPECIFICATION DETAILS

The VSSC350 125mmØ Rapid Self-Seal 90° Round Bend is manufactured from (white) high impact polystyrene and has a free area of 11,462mm². The 125mm Self-Seal 90° Round Bend incorporates a gasket to reduce air leakage to an absolute minimum between System 125mm ducting.

The VSSC350 is fully compliant with SAP Appendix Q Product Characteristics Database recommendations for duct sizes used with both extract and Mechanical Heat Recovery Systems.

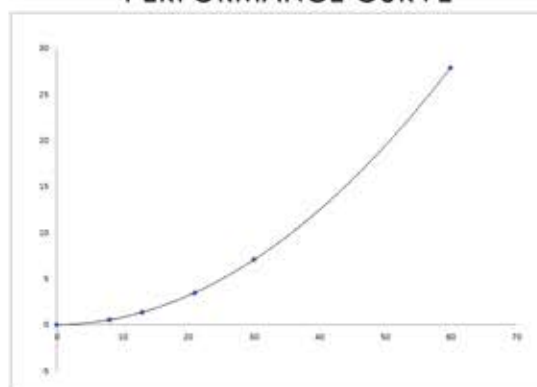
The VSSC350 is manufactured in compliance with Domestic Plastic Ductwork Specification DW/154 and does meet UL94HB flammability standard.

The VSSC350 is designed for use with the Verplas System 125mm.

AIRFLOW	RESISTANCE
8 l/s	0.50 pa
13 l/s	1.33 pa
21 l/s	3.46 pa
30 l/s	7.03 pa
60 l/s	27.90pa

PERFORMANCE CURVE

Pressure Loss Pascals (Pa)



AIRFLOW RATE (L/S)

Associated Ancillaries

VSSC352
125mmØ Rapid Self-Seal T-Piece

VSSC125PP
125mmØ Pipe to Pipe Coupling

VKC2692
125mmØ 2m Round Pipe



Scan Here
to find out
how quick
it is to install

