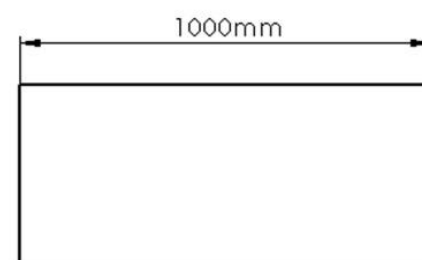
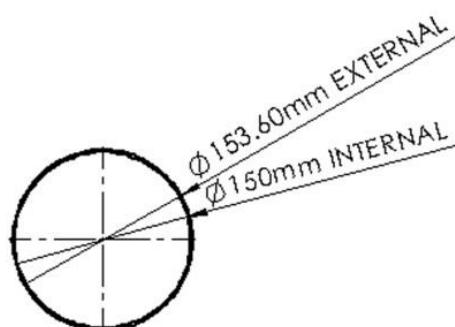


PRODUCT DATA SHEET

VKC670

1 METRE ROUND PIPE



SPECIFICATION DETAILS

The 150mm diameter 1m Round Pipe is manufactured from Rigid PVCu. The Round Pipe has a minimum free area of 17,673mm² and fits over the male spigot of the System 150 fittings.

System 150 Round Pipe is manufactured in compliance with Domestic Plastic Ductwork Specification DW/154 and will meet UL94VO flammability standard.

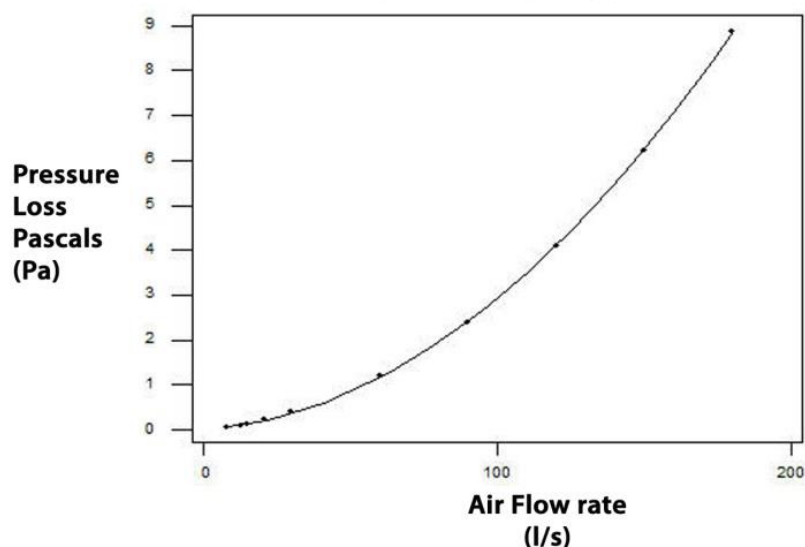
Round Pipe has been designed for use with Verplas System 150 Round.

MAX/MIN OPERATING TEMPERATURES

+ 60°C to - 15°C

| | |
|---------------------------|--------------------|
| Manufacturer: | Verplas Ltd |
| Part Number: | VKC670 |
| Size: | 150mm Diameter |
| For use with: | Verplas System 150 |
| Box quantity: | 5 |
| Individual Weight: | 1330g |
| Colour: | White |

PERFORMANCE CURVE



| AIRFLOW | RESISTANCE |
|---------|------------|
| 8 l/s | 0.06 pa |
| 13 l/s | 0.09 pa |
| 21 l/s | 0.24 pa |
| 30 l/s | 0.40 pa |
| 60 l/s | 1.20 pa |
| 120 l/s | 4.10 pa |

Associated Ancillaries

