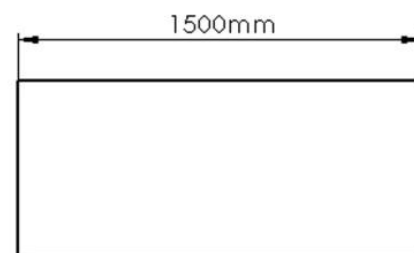
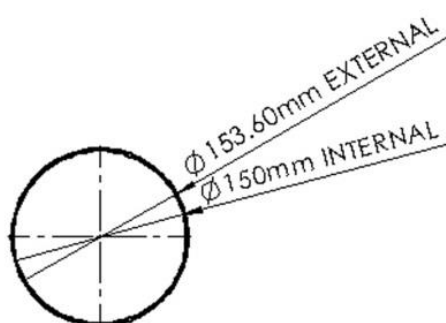


PRODUCT DATA SHEET

VKC671

1.5 METRE ROUND PIPE



SPECIFICATION DETAILS

The 150mm diameter 1.5m Round Pipe is manufactured from Rigid PVCu. The Round Pipe has a minimum free area of 17,673mm² and fits over the male spigot off the System 150 fittings.

System 150 Round Pipe is manufactured in compliance with Domestic Plastic Ductwork Specification DW/154 and will meet UL94VO flammability standard.

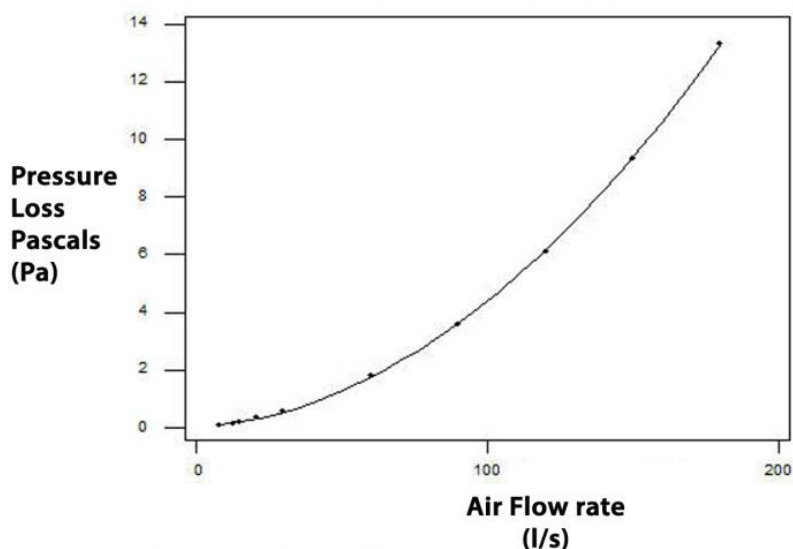
Round Pipe has been designed for use with Verplas System 150 Round.

MAX/MIN OPERATING TEMPERATURES

+ 60°C to - 15°C

Manufacturer:	Verplas Ltd
Part Number:	VKC671
Size:	150mm Diameter
For use with:	Verplas System 150
Box quantity:	5
Individual Weight:	2000g
Colour:	White

PERFORMANCE CURVE



AIRFLOW	RESISTANCE
8 l/s	0.09 pa
13 l/s	0.14 pa
21 l/s	0.36 pa
30 l/s	0.60 pa
60 l/s	1.80 pa
120 l/s	6.15 pa

Associated Ancillaries

