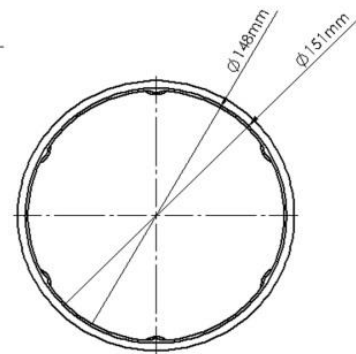
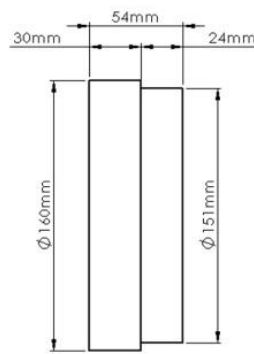
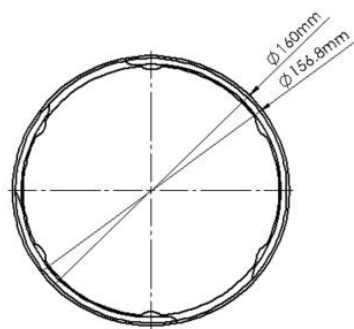


PRODUCT DATA SHEET

VKC659

THREADED HOSE CONNECTOR



SPECIFICATION DETAILS

The VKC659 150mm diameter Threaded Hose Connector is manufactured from (white) High Impact Polypropylene and has a minimum free area of 19,309mm² and has male fittings for connection inside of the duct.

The VKC659 is compliant with SAP Appendix Q Product Characteristics Database recommendations for duct sizes used with both extract and Mechanical Heat Recovery Systems.

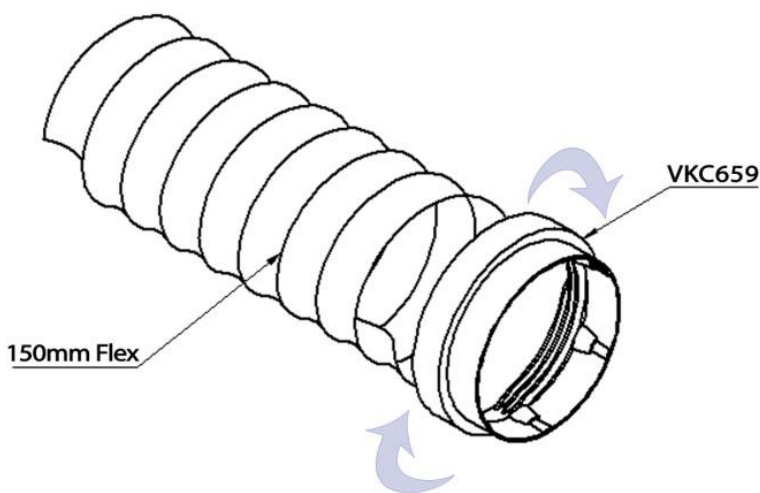
VKC659 is manufactured in compliance with Domestic Plastic Ductwork Specification DW/154 and does meet UL94HB flammability standard.

VKC659 has been designed for use with Verplas System 150mm Round.

Manufacturer:	Verplas Ltd
Part Number:	VKC659
Size:	150 mm Diameter
For use with:	Verplas System 150
Box quantity:	20
Individual Weight:	50g
Colour:	White

MAX/MIN OPERATING TEMPERATURES

+ 60°C to - 15°C



AIRFLOW	RESISTANCE
8 l/s	N/A
13 l/s	N/A
21 l/s	N/A
30 l/s	N/A
60 l/s	N/A
120 l/s	N/A

Associated Ancillaries

