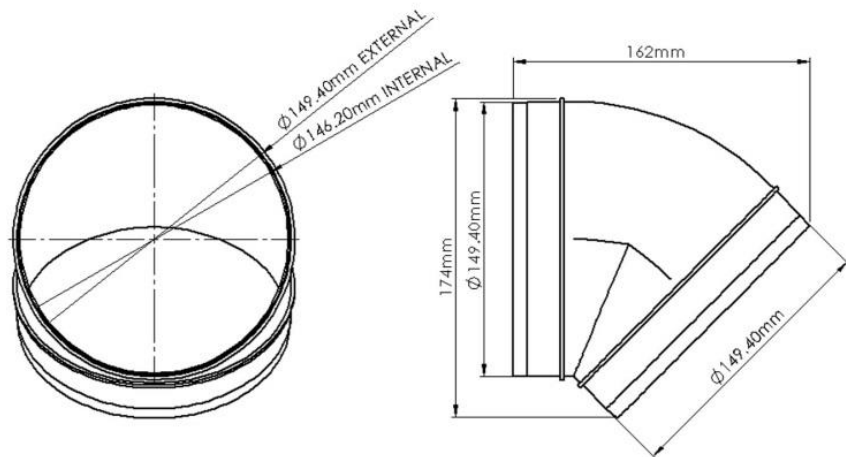


**PRODUCT DATA SHEET**

**VKC361**

**ROUND ELBOW 45° BEND**



**SPECIFICATION DETAILS**

The VKC361 150mm diameter 45° bend is manufactured from (white) High Impact Polystyrene and has minimum free area of 16,787mm<sup>2</sup>. It has a male spigot for connection inside of the System 150 duct.

The VKC361 is fully compliant with SAP Appendix Q Product Characteristics Database recommendations for duct sizes used with both extract and Mechanical Heat Recovery Systems.

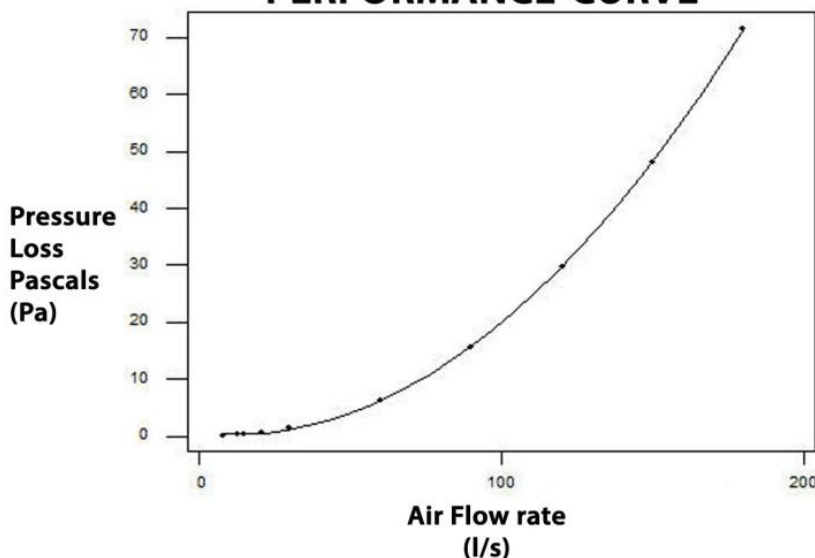
VKC361 is manufactured in compliance with Domestic Plastic Ductwork Specification DW/154 and does meet UL94HB flammability standard.

VKC361 has been designed for use with Verplas System 150 Round.

<b>Manufacturer:</b>	Verplas Ltd
<b>Part Number:</b>	VKC361
<b>Size:</b>	150mm Diameter
<b>For use with:</b>	Verplas System 150
<b>Box quantity:</b>	10
<b>Individual Weight:</b>	176g
<b>Colour:</b>	White

<b>MAX/MIN OPERATING TEMPERATURES</b>	+ 60°C to - 15°C
---------------------------------------	------------------

**PERFORMANCE CURVE**



AIRFLOW	RESISTANCE
8 l/s	0.10 pa
13 l/s	0.30 pa
21 l/s	0.70 pa
30 l/s	1.47 pa
60 l/s	6.37 pa
120 l/s	29.75 pa

**Associated Ancillaries**

