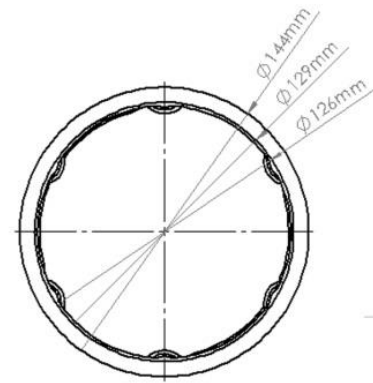
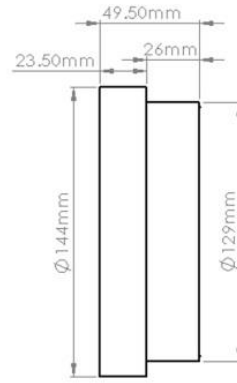
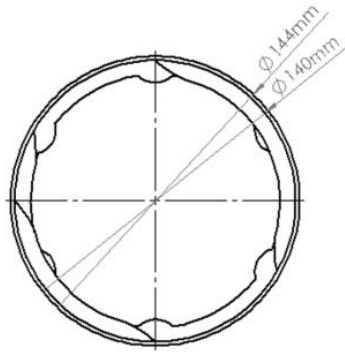


PRODUCT DATA SHEET

VKC271

THREADED HOSE CONNECTOR



SPECIFICATION DETAILS

The VKC271 125mm diameter Threaded Hose Connector is manufactured from (white) Polypropylene and has a minimum free area of 12,266mm² and has male fittings for connection inside of the duct.

The VKC271 is compliant with SAP Appendix Q Product Characteristics Database recommendations for duct sizes used with both extract and Mechanical Heat Recovery Systems.

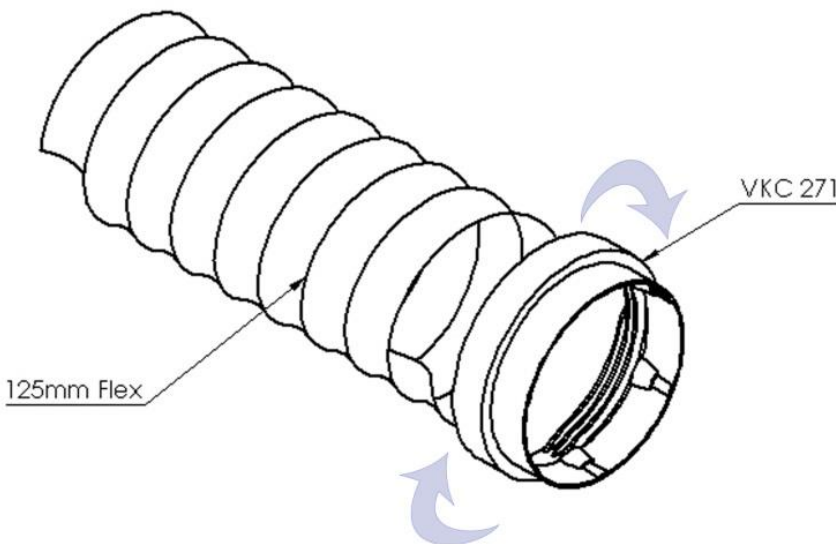
VKC271 is manufactured in compliance with Domestic Plastic Ductwork Specification DW/154 and does meet UL94HB flammability standard.

VKC271 has been designed for use with Verplas System 125.

MAX/MIN OPERATING TEMPERATURES

+ 60°C to - 15°C

Manufacturer:	Verplas Ltd
Part Number:	VKC271
Size:	125mm Diameter
For use with:	Verplas System 125
Box quantity:	20
Individual Weight:	52g
Colour:	White



AIRFLOW	RESISTANCE
8 l/s	N/A
13 l/s	N/A
21 l/s	N/A
30 l/s	N/A
60 l/s	N/A
120 l/s	N/A

Associated Ancillaries

125mm 2m Round Pipe

 VKC2692

125mm Round Ceiling Vent Diffuser

 VKC356F

125mm Equal T Piece Round

 VKC352

125mm Pipe to Pipe Self-Seal Coupling

 VSSC125PP

125mm Pipe to Fitting Self-Seal Coupling

 VSSC125PF