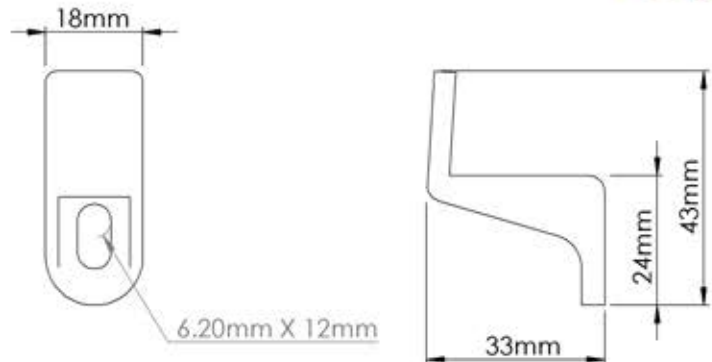


PRODUCT DATA SHEET

VKC705

234x29mm Support Clip



MANUFACTURER:	VERPLAS LTD
PART NUMBER:	VKC705
SIZE:	234x29mm
FOR USE WITH:	VERPLAS SYSTEM 225
BOX QUANTITY:	2
INDIVIDUAL WEIGHT:	10g
COLOUR	White
MIN OPERATING TEMP	-15°C
MAX OPERATING TEMP	+60°C

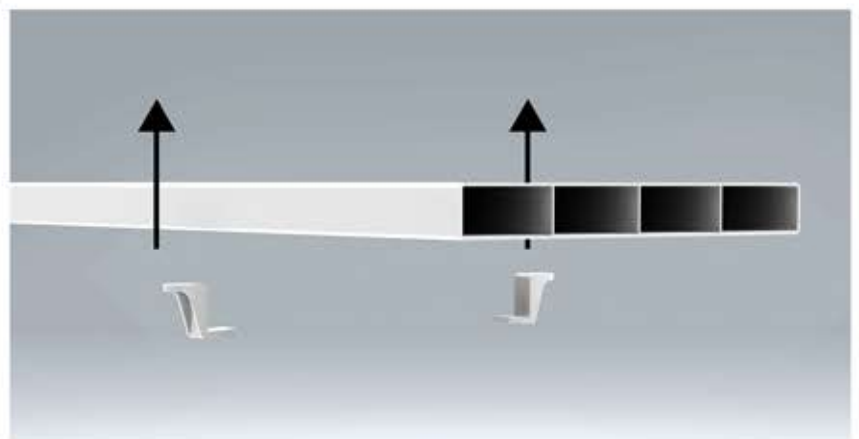
SPECIFICATION DETAILS

The VKC705 Support Clip is manufactured from Polypropylene.

VKC705 is manufactured in compliance with Domestic Plastic Ductwork Specification DW/154 and does meet UL94HB flammability standard.

VKC705 has been designed for use with Verplas System 225 Rectangular.

AIRFLOW	RESISTANCE
8 l/s	n/a Pa
13 l/s	n/a Pa
21 l/s	n/a Pa
30 l/s	n/a Pa
60 l/s	n/a Pa
120 l/s	n/a Pa



Associated Ancillaries

VKC706

234x29mm Rectangular 1m Flat Channel

VKC702

234x29mm Elbow Bend Plenum

VKC708

234x29mm Rectangular to Round 100mm Adaptor

Air Flow rate (l/s)

View the Full Range

Sales@Verplas.co.uk

www.Verplas.co.uk

+44 (0) 1202 825898

