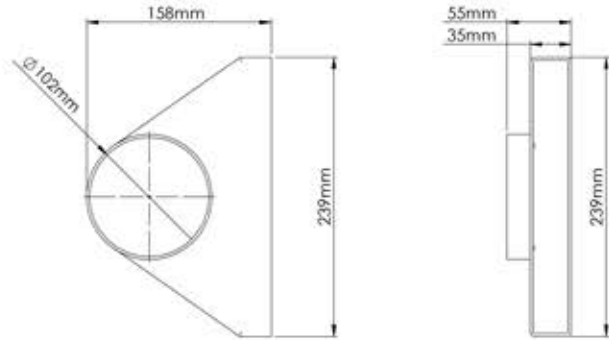
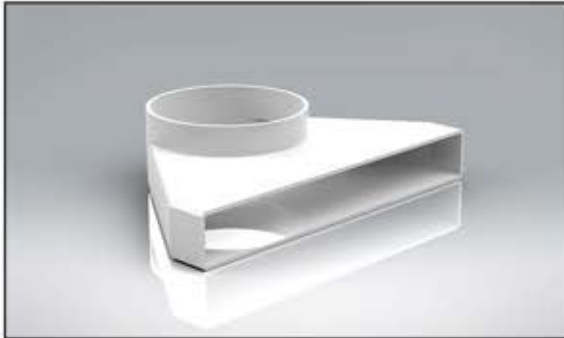


PRODUCT DATA SHEET

VKC702



234x29mm Elbow Bend Plenum with 100mm Fixed Spigot



MANUFACTURER:	VERPLAS LTD
PART NUMBER:	VKC702
SIZE:	234x29mm
FOR USE WITH:	VERPLAS SYSTEM 225
BOX QUANTITY:	10
INDIVIDUAL WEIGHT:	180g
COLOUR	White
MIN OPERATING TEMP	-15°C
MAX OPERATING TEMP	+60°C

SPECIFICATION DETAILS

The VKC702 234x29mm Elbow Bend Plenum with 100mm Fixed Spigot is manufactured from (white) High Impact Polystyrene and has a free area of 5,825mm² on the rectangular spigot and 8,171mm² on the round spigot.

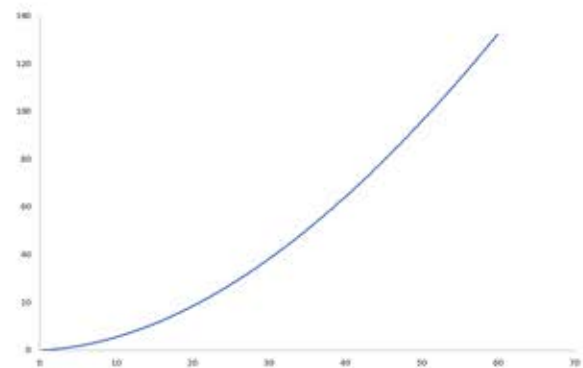
VKC702 is manufactured in compliance with Domestic Plastic Ductwork Specification DW/154 and does meet UL94HB flammability standard.

VKC702 has been designed for use with Verplas System 225 Rectangular.

AIRFLOW	RESISTANCE
8 l/s	3.79 Pa
13 l/s	8.64 Pa
21 l/s	20.16 Pa
30 l/s	38.22 Pa
60 l/s	132.45 Pa

PERFORMANCE CURVE

Pressure Loss Pascals (Pa)



Air Flow rate (l/s)

View the Full Range

Sales@Verplas.co.uk

www.Verplas.co.uk

+44 (0) 1202 825898

