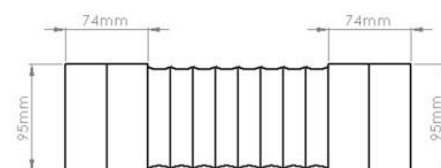
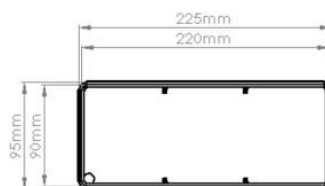


PRODUCT DATA SHEET

VKC5727

FLEXIBLE BEND



SPECIFICATION DETAILS

The VKC5727 220x90mm Rectangular Flexible Bend 500mm long is manufactured from (white) High Impact Polystyrene and PVCp. The 220x90mm rectangular end has a minimum free area of 18,545mm² with a female adaptor for connection outside of the System 220 duct.

The VKC5727 is fully compliant with SAP Appendix Q Product Characteristics Database recommendations for duct sizes used with both extract and Mechanical Heat Recovery Systems.

VKC5727 is manufactured in compliance with Domestic Plastic Ductwork Specification DW/154 and does meet UL94HB flammability standard.

VKC5727 has been designed for use with Verplas System 220.

MAX/MIN OPERATING TEMPERATURES

+ 60°C to - 15°C

Manufacturer:

Verplas Ltd

Part Number:

VKC5727

Size:

220mm x 90mm to
500mm long

For use with:

Verplas System 220

Box quantity:

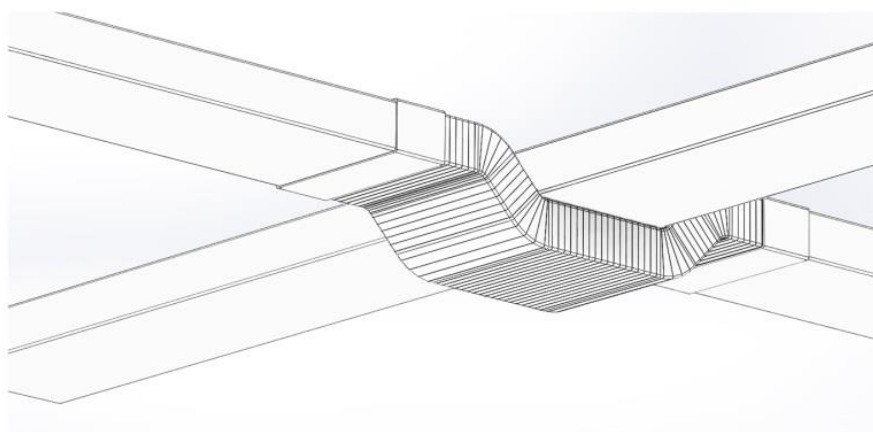
5

Individual Weight:

345g

Colour:

White



AIRFLOW

RESISTANCE

8 l/s

N/A

13 l/s

N/A

21 l/s

N/A

30 l/s

N/A

60 l/s

N/A

120 l/s

N/A

Associated Ancillaries

220x90mm 2m Flat
Channel

VKC5729

220x90mm Rectangular
Vertical 45° Bend

VKC5717

220x90mm Rectangular
Horizontal 90° Bend

VKC5705

220x90mm Rectangular
Equal T Piece

VKC5730

220x90mm Duct to Fitting
Self-Seal Coupling

VSSC220DF