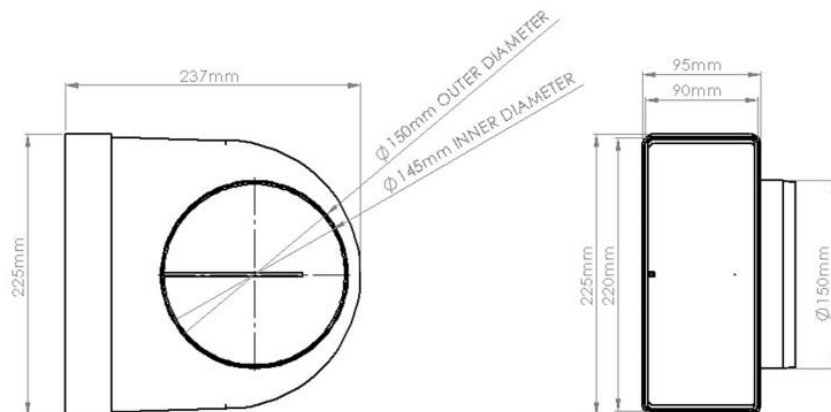


## PRODUCT DATA SHEET

## VKC5726

## ELBOW BEND WITH 150MM FIXED SPIGOT



## SPECIFICATION DETAILS

The VKC5726 220x90mm Rectangular Elbow Bend with 150mm diameter Fixed Spigot Bend is manufactured from (white) High Impact Polystyrene. The 220x90mm rectangular end has a minimum free area of 18,545mm<sup>2</sup> with a female adaptor for connection outside of the System 220 duct. The 150mm diameter round end has a minimum free area of 16,798mm<sup>2</sup> with a male spigot for connection inside of the System 150 duct.

The VKC5726 is fully compliant with SAP Appendix Q Product Characteristics Database recommendations for duct sizes used with both extract and Mechanical Heat Recovery Systems.

VKC5726 is manufactured in compliance with Domestic Plastic Ductwork Specification DW/154 and does meet UL94HB flammability standard.

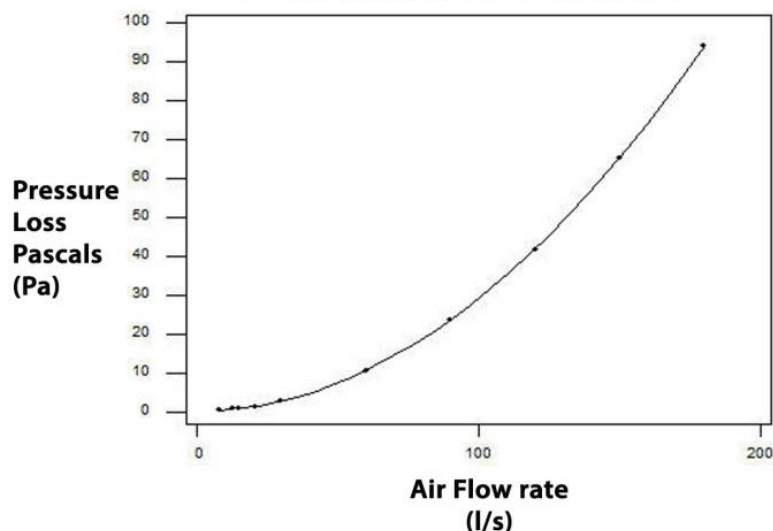
VKC5726 has been designed for use with Verplas System 220.

<b>Manufacturer:</b>	Verplas Ltd
<b>Part Number:</b>	VKC5726
<b>Size:</b>	220mm x 90mm to 150mm Diameter
<b>For use with:</b>	Verplas System 220
<b>Box quantity:</b>	8
<b>Individual Weight:</b>	376g
<b>Colour:</b>	White

## MAX/MIN OPERATING TEMPERATURES

+ 60°C to - 15°C

## PERFORMANCE CURVE



AIRFLOW	RESISTANCE
8 l/s	0.43 pa
13 l/s	0.79 pa
21 l/s	1.37 pa
30 l/s	2.80 pa
60 l/s	10.60 pa
120 l/s	41.80 pa

## Associated Ancillaries

