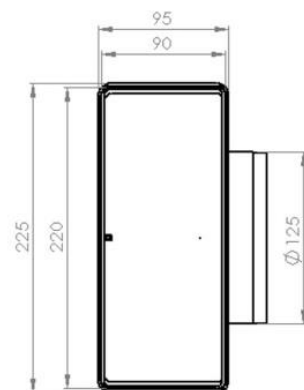
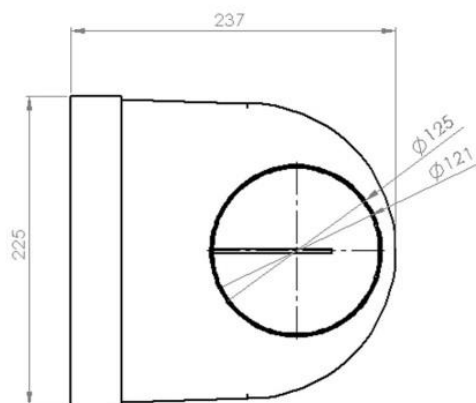


PRODUCT DATA SHEET

VKC5706

ELBOW BEND WITH 125MM FIXED SPIGOT



SPECIFICATION DETAILS

The VKC5706 220x90mm Rectangular Elbow Bend with 125mm diameter Fixed Spigot Bend is manufactured from (white) High Impact Polystyrene. The 220x90mm rectangular end has a minimum free area of 18,545mm² with a female adaptor for connection outside of the System 220 duct. The 125mm diameter round end has a minimum free area of 12,266mm² with a male spigot for connection inside of the System 125 duct.

The VKC5706 is fully compliant with SAP Appendix Q Product Characteristics Database recommendations for duct sizes used with both extract and Mechanical Heat Recovery Systems.

VKC5706 is manufactured in compliance with Domestic Plastic Ductwork Specification DW/154 and does meet UL94HB flammability standard.

VKC5706 has been designed for use with Verplas System 220.

MAX/MIN OPERATING TEMPERATURES

+ 60°C to - 15°C

Manufacturer:

Verplas Ltd

Part Number:

VKC5706

Size:

220mm x 90mm to 125mm Diameter

For use with:

Verplas System 220

Box quantity:

8

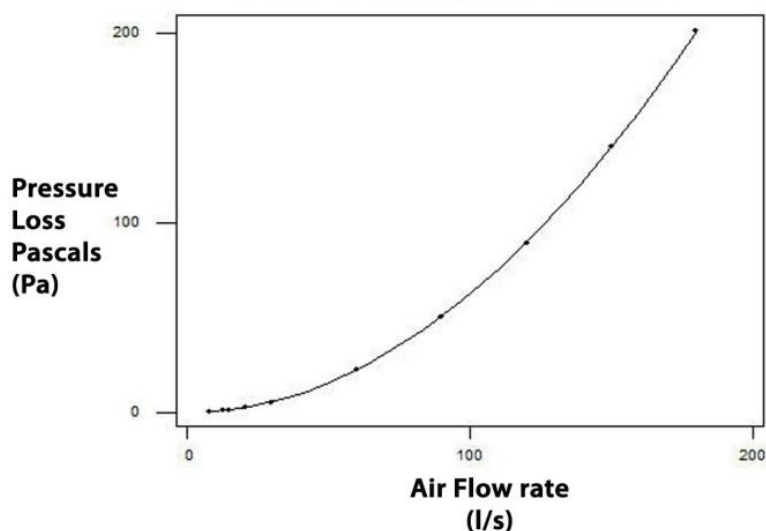
Individual Weight:

378g

Colour:

White

PERFORMANCE CURVE



AIRFLOW

RESISTANCE

8 l/s

0.80 pa

13 l/s

1.40 pa

21 l/s

3.50 pa

30 l/s

5.90 pa

60 l/s

23.00 pa

120 l/s

90.20 pa

Associated Ancillaries

