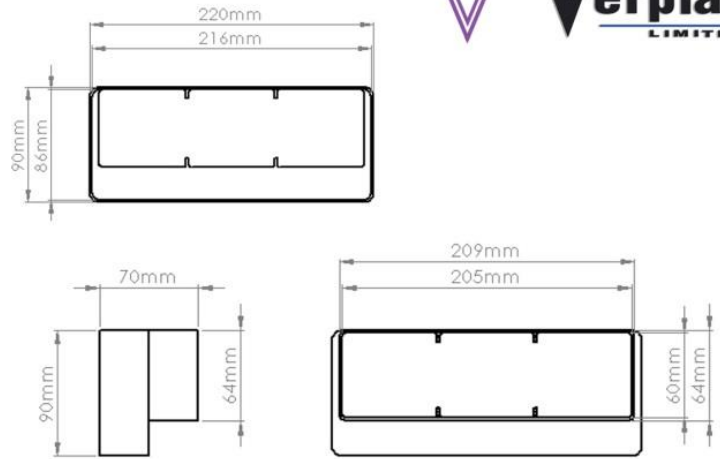


# PRODUCT DATA SHEET

## VKC5756

### AIRBRICK REDUCER



### SPECIFICATION DETAILS

The VKC5756 220x90mm Airbrick Reducer is manufactured from (white) High Impact Polystyrene and has a minimum free area of 11,452mm<sup>2</sup>. It has a male spigot for connection inside of the System 220 fittings, and a female adaptor for connection outside of the System 204 duct.

The VKC5756 is fully compliant with SAP Appendix Q Product Characteristics Database recommendations for duct sizes used with both extract and Mechanical Heat Recovery Systems.

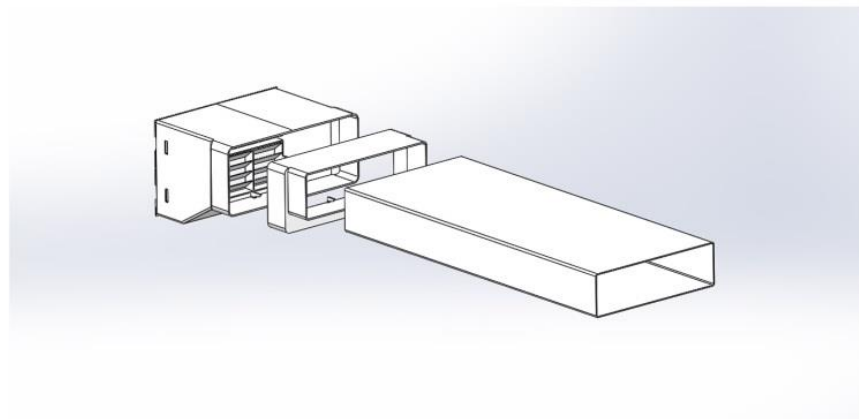
VKC5756 is manufactured in compliance with Domestic Plastic Ductwork Specification DW/154 and does meet UL94HB flammability standard.

VKC5756 has been designed for use with Verplas System 220.

#### MAX/MIN OPERATING TEMPERATURES

+ 60°C to - 15°C

<b>Manufacturer:</b>	Verplas Ltd
<b>Part Number:</b>	VKC5756
<b>Size:</b>	220mm x 90mm
<b>For use with:</b>	Verplas System 220
<b>Box quantity:</b>	50
<b>Individual Weight:</b>	99g
<b>Colour:</b>	White



AIRFLOW	RESISTANCE
8 l/s	N/A
13 l/s	N/A
21 l/s	N/A
30 l/s	N/A
60 l/s	N/A
120 l/s	N/A

### Associated Ancillaries

