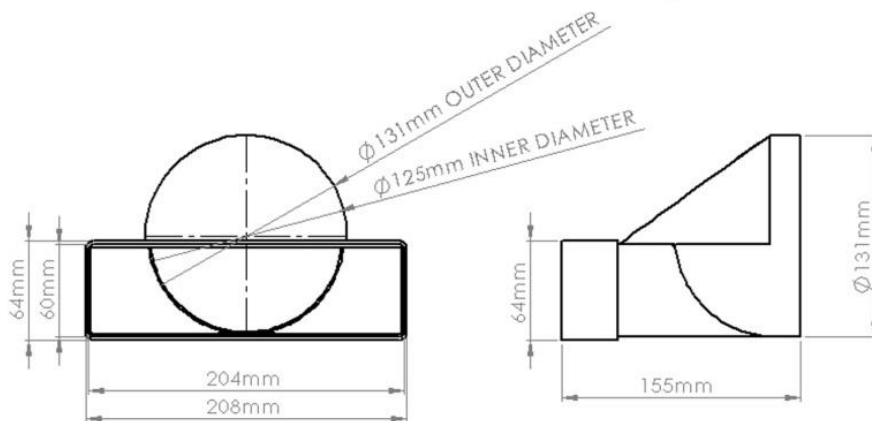


PRODUCT DATA SHEET

VKC5613

ROUND TO RECTANGULAR ADAPTOR



SPECIFICATION DETAILS

The VKC5613 204x60mm to 125mm diameter Straight Round to Rectangular Adaptor is manufactured from (white) High Impact Polystyrene. The 204x60mm rectangular end has a minimum free area of 11,452mm² with a female adaptor for connection outside of the System 204 duct. The 125mm diameter round end has a minimum free area of 12,266mm² and fits over the male spigot of the System 125 fittings.

The VKC5613 is fully compliant with SAP Appendix Q Product Characteristics Database recommendations for duct sizes used with both extract and Mechanical Heat Recovery Systems.

VKC5613 is manufactured in compliance with Domestic Plastic Ductwork Specification DW/154 and does meet UL94HB flammability standard.

VKC5613 has been designed for use with Verplas System 204.

MAX/MIN OPERATING TEMPERATURES

+ 60°C to - 15°C

Manufacturer:

Verplas Ltd

Part Number:

VKC5613

Size:

204mm x 60mm to 125mm Diameter

For use with:

Verplas System 204

Box quantity:

5

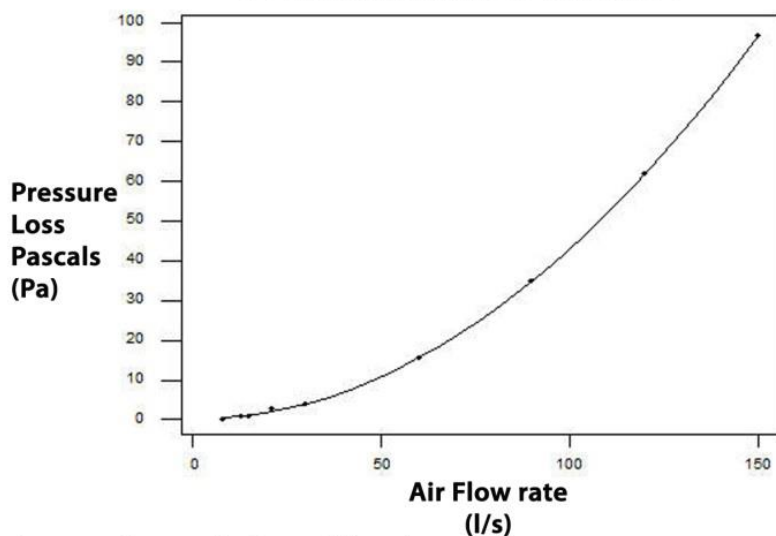
Individual Weight:

180g

Colour:

White

PERFORMANCE CURVE



AIRFLOW

RESISTANCE

8 l/s

0 pa

13 l/s

0.88 pa

21 l/s

2.40 pa

30 l/s

3.84 pa

60 l/s

15.41 pa

120 l/s

61.86 pa

Associated Ancillaries

