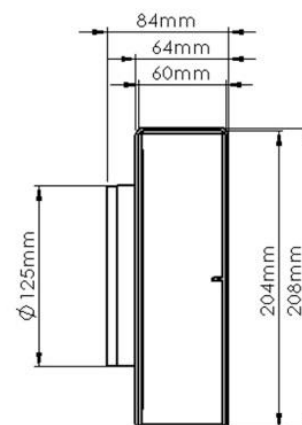
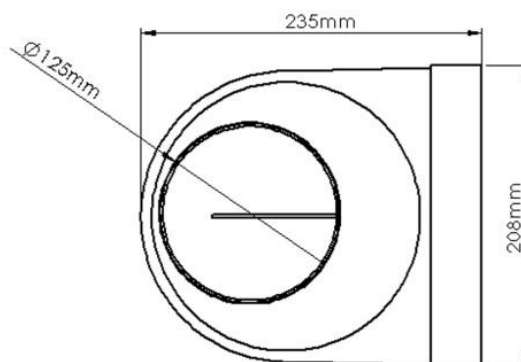


PRODUCT DATA SHEET

VKC5606

ELBOW BEND WITH 125MM ROTATING SPIGOT



SPECIFICATION DETAILS

The VKC5606 204x60mm Rectangular Elbow Bend with 125mm diameter Rotating Spigot Bend is manufactured from (white) High Impact Polystyrene. The 204x60mm rectangular end has a minimum free area of 11,452mm² with a female adaptor for connection outside of the System 204 duct. The 125mm diameter round end has a minimum free area of 11,613mm² with a male spigot for connection inside of the System 125 duct.

The VKC5606 is fully compliant with SAP Appendix Q Product Characteristics Database recommendations for duct sizes used with both extract and Mechanical Heat Recovery Systems.

VKC5606 is manufactured in compliance with Domestic Plastic Ductwork Specification DW/154 and does meet UL94HB flammability standard.

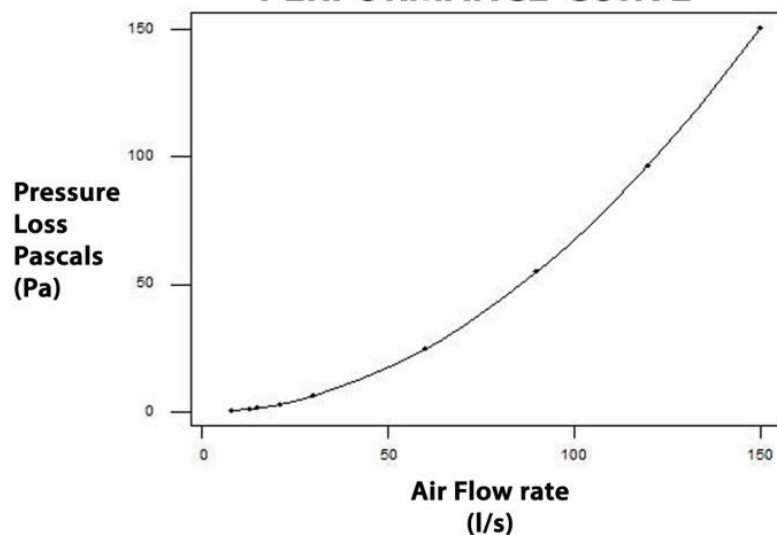
VKC5606 has been designed for use with Verplas System 204.

| | |
|---------------------------|--------------------------------|
| Manufacturer: | Verplas Ltd |
| Part Number: | VKC5606 |
| Size: | 204mm x 60mm to 125mm Diameter |
| For use with: | Verplas System 204 |
| Box quantity: | 5 |
| Individual Weight: | 260g |
| Colour: | White |

MAX/MIN OPERATING TEMPERATURES

+ 60°C to - 15°C

PERFORMANCE CURVE



| AIRFLOW | RESISTANCE |
|---------|------------|
| 8 l/s | 0.60 pa |
| 13 l/s | 1.20 pa |
| 21 l/s | 3.00 pa |
| 30 l/s | 6.28 pa |
| 60 l/s | 24.69 pa |
| 120 l/s | 97.05 pa |

Associated Ancillaries

