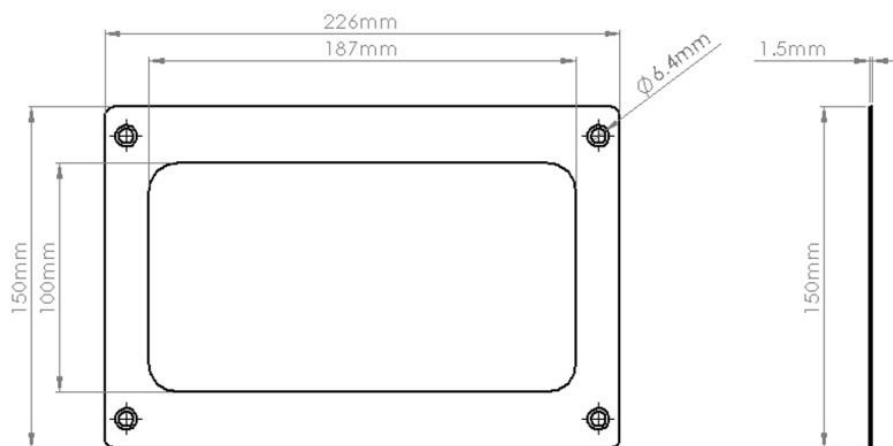


PRODUCT DATA SHEET

VKC657

180X95MM WALL PLATE



SPECIFICATION DETAILS

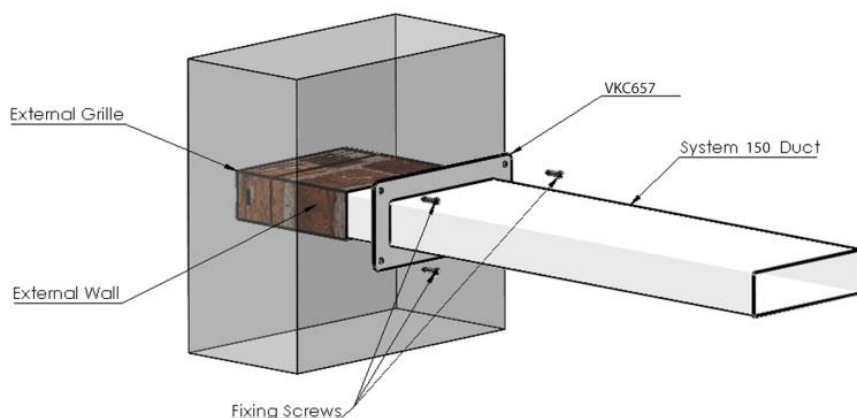
The VKC657 180x95mm Rectangular Wall Plate is manufactured from (white) Polypropylene. The Wall Plate is installed around the ducting and is fixed to the wall using the four 6mm screw holes provided.

VKC657 is manufactured in compliance with Domestic Plastic Ductwork Specification DW/154 and meets UL94HB flammability standard.

VKC657 has been designed for use with Verplas System 150 Rectangular.

Manufacturer:	Verplas Ltd
Part Number:	VKC657
Size:	180 x 95mm
For use with:	Verplas System 150
Box quantity:	10
Individual Weight:	20g
Colour:	White

MAX/MIN OPERATING TEMPERATURES	+ 60°C to - 15°C
---------------------------------------	------------------



AIRFLOW	RESISTANCE
8 l/s	N/A
13 l/s	N/A
21 l/s	N/A
30 l/s	N/A
60 l/s	N/A
120 l/s	N/A

Associated Ancillaries

