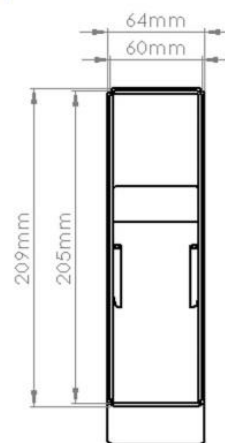
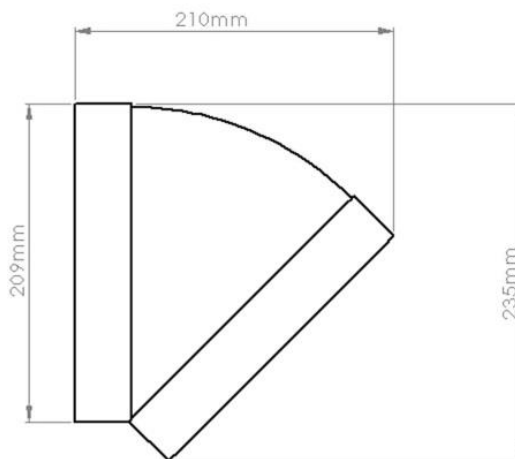


PRODUCT DATA SHEET

VKC5616

HORIZONTAL 45° BEND



SPECIFICATION DETAILS

The VKC5616 204x60mm Rectangular 45° Horizontal Bend is manufactured from (white) High Impact Polystyrene and has a minimum free area of 11,452mm². It has a female adaptor for connection outside of the System 204 duct.

The VKC5616 is fully compliant with SAP Appendix Q Product Characteristics Database recommendations for duct sizes used with both extract and Mechanical Heat Recovery Systems.

VKC5616 is manufactured in compliance with Domestic Plastic Ductwork Specification DW/154 and does meet UL94HB flammability standard.

VKC5616 has been designed for use with Verplas System 204.

MAX/MIN OPERATING TEMPERATURES

+ 60°C to - 15°C

Manufacturer:

Verplas Ltd

Part Number:

VKC5616

Size:

204mm x 60mm

For use with:

Verplas System 204

Box quantity:

10

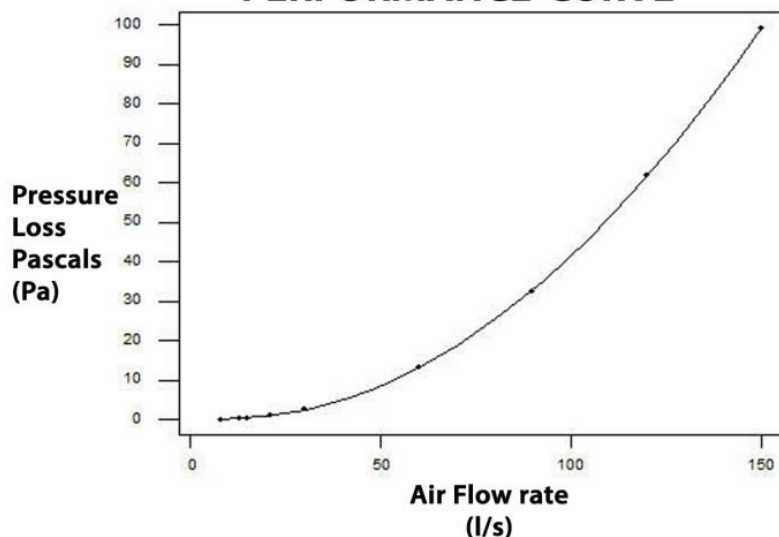
Individual Weight:

200g

Colour:

White

PERFORMANCE CURVE



AIRFLOW

RESISTANCE

8 l/s

0 pa

13 l/s

0.30 pa

21 l/s

1.20 pa

30 l/s

2.71 pa

60 l/s

13.22 pa

120 l/s

62.00 pa

Associated Ancillaries

