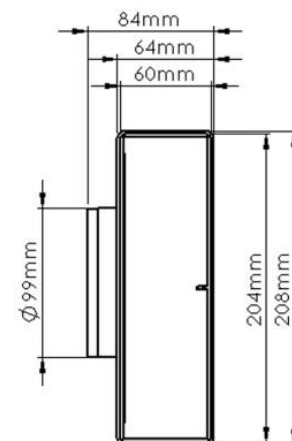
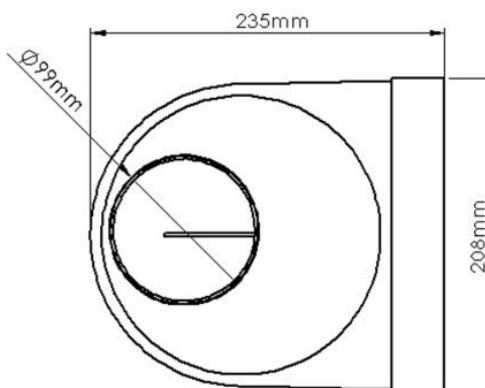


PRODUCT DATA SHEET

VKC5625

ELBOW BEND WITH 100MM ROTATING SPIGOT



SPECIFICATION DETAILS

The VKC5625 204x60mm Rectangular Elbow Bend with 100mm diameter Rotating Spigot is manufactured from (white) High Impact Polystyrene. The 204x60mm rectangular end has a minimum free area of 11,452mm² with a female adaptor for connection outside of the System 204 duct. The 100mm diameter round end has a minimum free area of 7,283mm² with a male spigot for connection inside of the System 100 duct.

The VKC5625 is fully compliant with SAP Appendix Q Product Characteristics Database recommendations for duct sizes used with both extract and Mechanical Heat Recovery Systems.

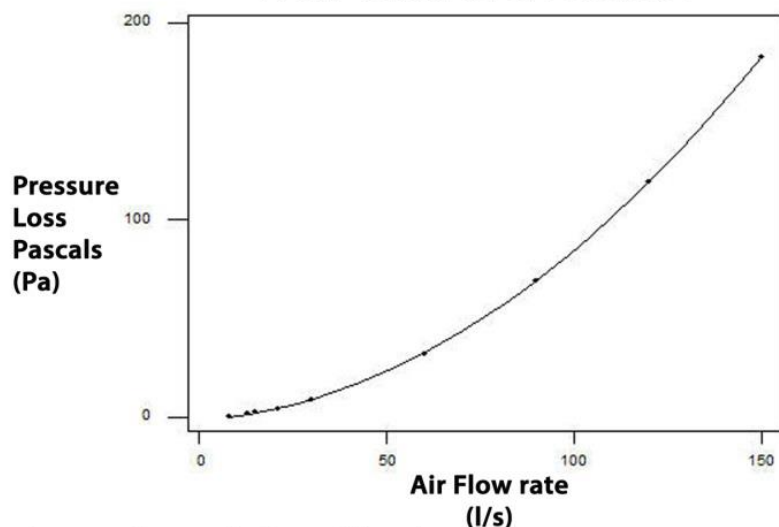
VKC5625 is manufactured in compliance with Domestic Plastic Ductwork Specification DW/154 and does meet UL94HB flammability standard.

VKC5625 has been designed for use with Verplas System 204.

Manufacturer:	Verplas Ltd
Part Number:	VKC5625
Size:	204mm x 60mm to 100mm Diameter
For use with:	Verplas System 204
Box quantity:	5
Individual Weight:	260g
Colour:	White

MAX/MIN OPERATING TEMPERATURES	+ 60°C to - 15°C
---------------------------------------	------------------

PERFORMANCE CURVE



AIRFLOW	RESISTANCE
8 l/s	0.60 pa
13 l/s	1.70 pa
21 l/s	4.00 pa
30 l/s	8.71 pa
60 l/s	32.30 pa
120 l/s	119.81 pa

Associated Ancillaries

