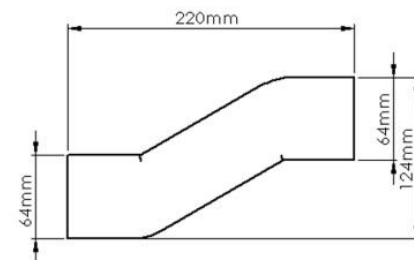
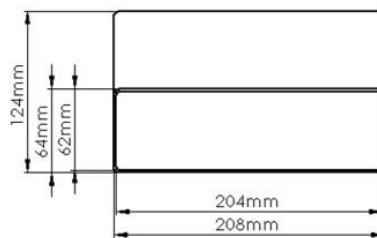


PRODUCT DATA SHEET

VKC5653

CROSS OVER DUCT CONNECTOR



SPECIFICATION DETAILS

The VKC5653 204x60mm Cross Over Duct Connector is manufactured from (white) High Impact Polystyrene and has a minimum free area of 11,452mm². It has a female adaptor for connection outside of the System 204 duct.

The VKC5653 is fully compliant with SAP Appendix Q Product Characteristics Database recommendations for duct sizes used with both extract and Mechanical Heat Recovery Systems.

VKC5653 is manufactured in compliance with Domestic Plastic Ductwork specification DW/154 and does meet UL94HB flammability standard.

VKC5653 has been designed for use with Verplas System 204.

MAX/MIN OPERATING TEMPERATURES

+ 60°C to - 15°C

Manufacturer:

Verplas Ltd

Part Number:

VKC5653

Size:

204mm x 60mm

For use with:

Verplas System 204

Box quantity:

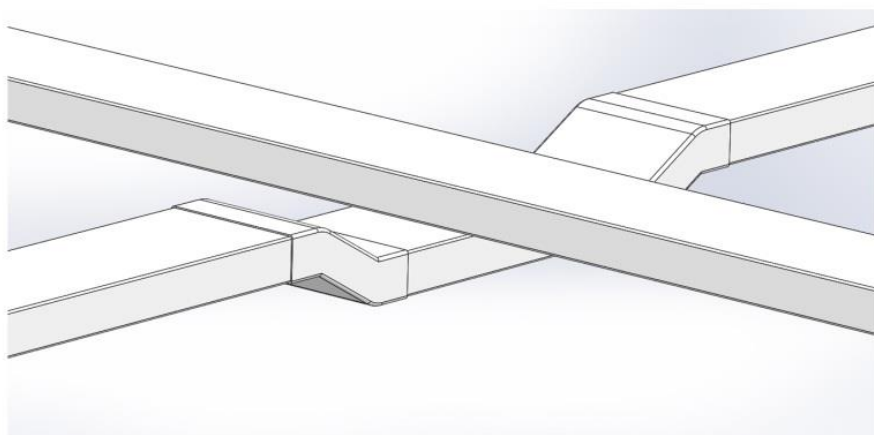
24

Individual Weight:

267g

Colour:

White



AIRFLOW

RESISTANCE

8 l/s

N/A

13 l/s

N/A

21 l/s

N/A

30 l/s

N/A

60 l/s

N/A

120 l/s

N/A

Associated Ancillaries

204x60mm 2m Flat Channel



VKC5629

204x60mm Rectangular Horizontal 90° Bend



VKC5605

204x60mm Rectangular Equal T Piece



VKC5630

204x60mm Duct to Duct Self-Seal Coupling



VSSC204DD

204x60mm Duct to Fitting Self-Seal Coupling



VSSC204DF