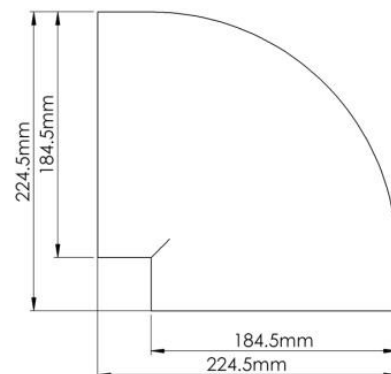
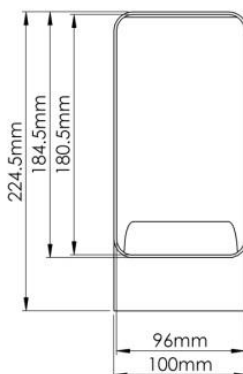


**PRODUCT DATA SHEET**

**VKC654**

**RECTANGULAR HORIZONTAL 90° BEND**



**SPECIFICATION DETAILS**

The VKC654 180x95mm Rectangular Horizontal 90° Bend is manufactured from (white) High Impact Polystyrene and has a minimum free area of 16,233mm<sup>2</sup>. It has a female adaptor for connection outside of the Rectangular System 150 duct.

VKC654 is manufactured in compliance with Domestic Plastic Ductwork Specification DW/154 and does meet UL94HB flammability standard.

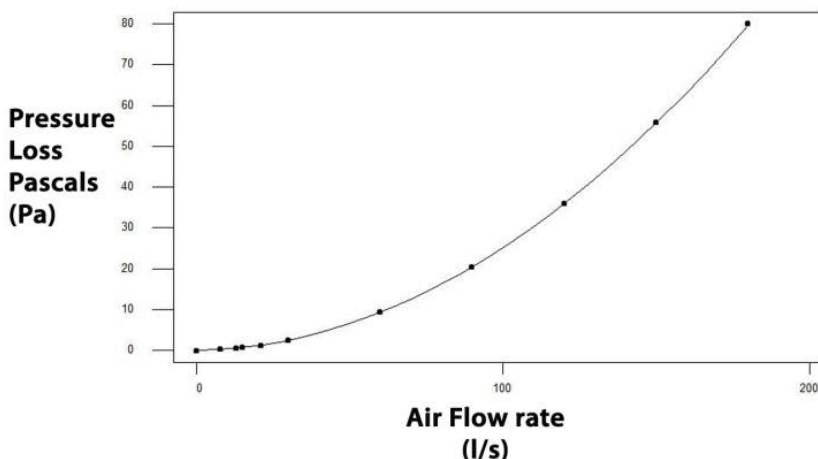
VKC654 has been designed for use with Verplas System 150 Rectangular.

**MAX/MIN OPERATING TEMPERATURES**

+ 60°C to - 15°C

|                           |                    |
|---------------------------|--------------------|
| <b>Manufacturer:</b>      | Verplas Ltd        |
| <b>Part Number:</b>       | VKC654             |
| <b>Size:</b>              | 180 x 95mm         |
| <b>For use with:</b>      | Verplas System 150 |
| <b>Box quantity:</b>      | 4                  |
| <b>Individual Weight:</b> | 320g               |
| <b>Colour:</b>            | White              |

**PERFORMANCE CURVE**



| AIRFLOW | RESISTANCE |
|---------|------------|
| 8 l/s   | 0.24 pa    |
| 13 l/s  | 0.55 pa    |
| 21 l/s  | 1.30 pa    |
| 30 l/s  | 2.52 pa    |
| 60 l/s  | 9.32 pa    |
| 120 l/s | 35.97 pa   |

**Associated Ancillaries**

