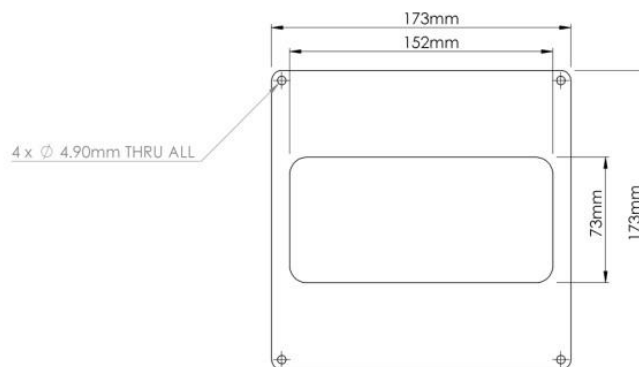


PRODUCT DATA SHEET

VKC601

RECTANGULAR WALL PLATE



SPECIFICATION DETAILS

The VKC601 150x70mm Rectangular Wall Plate is manufactured from (white) Polypropylene it is suitable for the use with the Verplas System 125 Rectangular. The Wall Plate is installed around the ducting and is fixed to the wall using the four 4mm screw holes provided.

VKC601 is manufactured in compliance with Domestic Plastic Ductwork Specification DW/154 and does meet UL94HB flammability standard.

VKC601 has been designed for use with Verplas System 125 Rectangular.

MAX/MIN OPERATING TEMPERATURES

+ 60°C to - 15°C

Manufacturer:

Verplas Ltd

Part Number:

VKC601

Size:

150 x 70mm

For use with:

Verplas System 125

Box quantity:

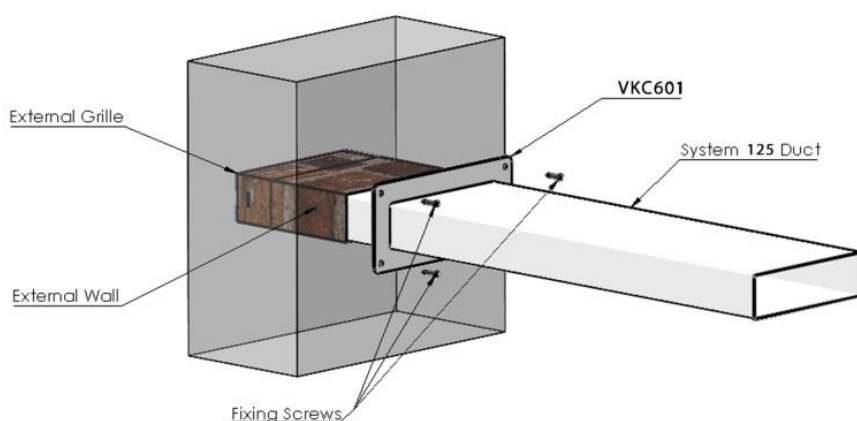
10

Individual Weight:

30g

Colour:

White



AIRFLOW

RESISTANCE

8 l/s

N/A

13 l/s

N/A

15 l/s

N/A

30 l/s

N/A

60 l/s

N/A

120 l/s

N/A

Associated Ancillaries

150x70mm Flat Channel 1m



VKC604

150x70mm Round to Rectangular Adaptor



VKC613

150x70mm Female 90° Elbow Bend



VKC607

150x70mm Rectangular Vertical 90° Bend



VKC612

150x70mm Rectangular Horizontal 90° Bend



VKC605