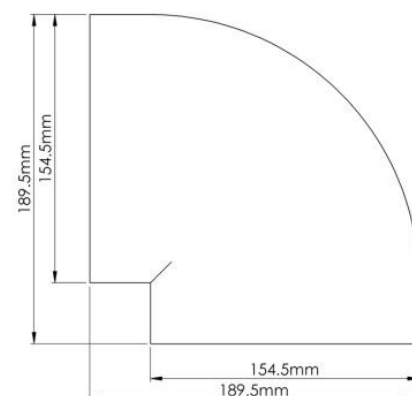
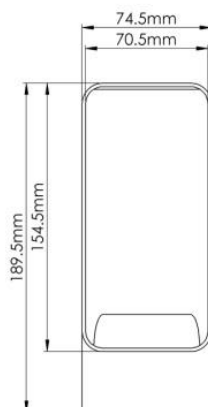


# PRODUCT DATA SHEET

## VKC605

150X70MM HORIZONTAL 90° BEND



### SPECIFICATION DETAILS

The VKC605 150x70mm Rectangular Horizontal 90° Bend is manufactured from (white) High Impact Polystyrene and has a minimum free area of 9,720mm<sup>2</sup>. It has a female adaptor for connection outside of the Rectangular System 125 duct.

VKC605 is manufactured in compliance with Domestic Plastic Ductwork Specification DW/154 and does meet UL94HB flammability standard.

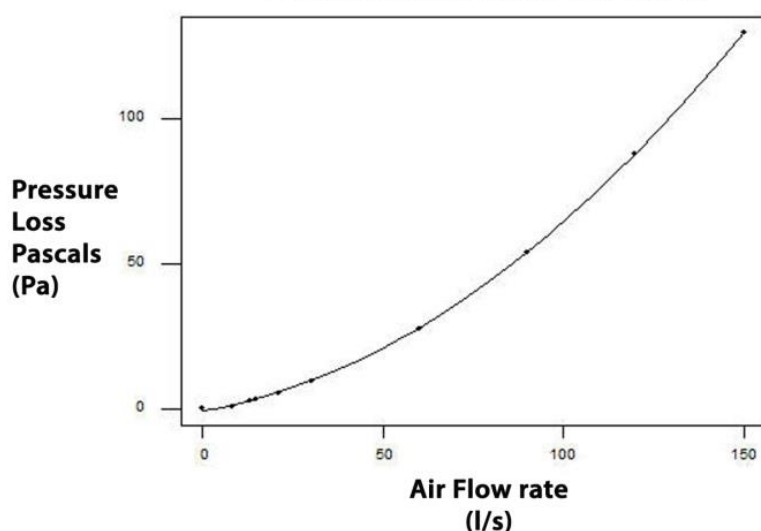
VKC605 has been designed for use with Verplas System 125 Rectangular.

#### MAX/MIN OPERATING TEMPERATURES

+ 60°C to - 15°C

<b>Manufacturer:</b>	Verplas Ltd
<b>Part Number:</b>	VKC605
<b>Size:</b>	150 x 70mm
<b>For use with:</b>	Verplas System 125
<b>Box quantity:</b>	8
<b>Individual Weight:</b>	180g
<b>Colour:</b>	White

### PERFORMANCE CURVE



AIRFLOW	RESISTANCE
8 l/s	1.00 pa
13 l/s	2.65 pa
21 l/s	5.50 pa
30 l/s	9.40 pa
60 l/s	27.85 pa
120 l/s	88.20 pa

### Associated Ancillaries

