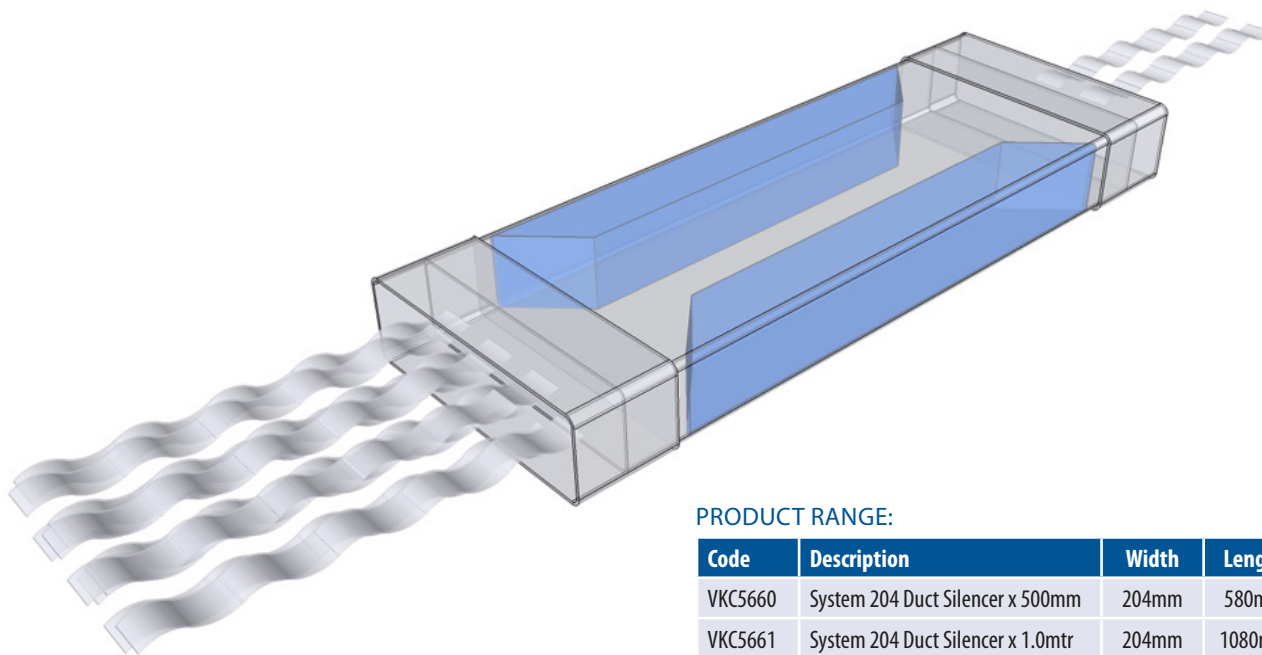


VERPLAS 204 DUCT SILENCER

A NEW, EASY TO INSTALL, COST EFFECTIVE ALTERNATIVE TO METAL SILENCERS



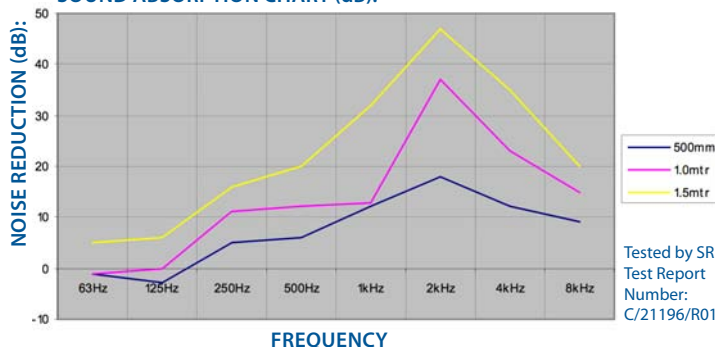
Key Features

- V** The Duct Silencer is a new, specially designed, cost effective and very easy method of reducing the noise from your ventilation system.
- V** The new silencer offers many advantages over the traditional metal equivalent. The plastic construction is corrosion free, giving a long serviceable life and its low profile construction and lightness make installation quick and easy.
- V** Offers more flexibility on installation than conventional metal silencers and with a height profile of under 70mm, allows for installation in most ceiling and roof voids and can be hidden out of sight on top of kitchen cupboards.
- V** The Verplas 204 Duct Silencers provide effective attenuation as recommended by Document F of the Building Regulations 2010.

PRODUCT RANGE:

Code	Description	Width	Length	Height
VKC5660	System 204 Duct Silencer x 500mm	204mm	580mm	65mm
VKC5661	System 204 Duct Silencer x 1.0mtr	204mm	1080mm	65mm
VKC5662	System 204 Duct Silencer x 1.5mtr	204mm	1580mm	65mm

SOUND ABSORPTION CHART (dB):



THE LEVEL OF SOUND ABSORPTION:

Silencer Length	63Hz	125Hz	250Hz	500Hz	1kHz	2kHz	4kHz	8kHz
500mm	-1	-3	5	6	12	18	12	9
1.0mtr	-1	0	11	12	13	37	23	15
1.5mtr	5	6	16	20	32	47	35	20

STATIC PRESSURE DROP IN PASCALS (PA) VERSES FLOW RATE (L/S):

Approximate l/s		15	30	60	90	120	150
VKC5660	pa	10.5	18.5	100	213	371	576
VKC5661	pa	10.4	17.2	107	234	373	578
VKC5662	pa	8.2	23.5	107	230	412	595



The technology behind the lifestyle.

System 204 PVC Duct Silencer..

Why we need Silencers:

In the ever changing world of greater energy efficiency and more comfortable living, there has been a step change in the way designers and specifiers have addressed domestic ventilation challenges.

Most new homes now incorporate central ventilation systems whereupon individual rooms are connected to a central system utilising a heat recovery unit. This allows for the collection of warm moist air from the wet areas, say in the kitchen and bathroom, to be ducted to the central heat recovery unit whereupon the moisture content is reduced and the dryer warm air returned to other living spaces, such as the lounge and bedrooms.

One of the potential disadvantages to this network of ducting is that noise from the electric fan and mechanical moving parts can be transmitted along the duct runs and cause a noise nuisance to the occupants.

This issue has been recognised and addressed within the Approved Document F of the Building Regulations, which recommends from 1st October 2010, that measures be taken to minimise noise disturbance. This refers to the reduction of noise entering the building through the ventilation system, the external emission of noise outside the building emanating from the ventilation system and of course the distribution of noise generated within the building from ventilation fans and air movements through the ductwork.

Regulation 4.36 in particular, recommends that system designers should consider minimising noise by careful design and the specification of quieter products.

We at Verplas believe that the strategic positioning of one or more Verplas 204 Duct Silencers around the ventilation system will achieve this aim.

The Solution:

Verplas System 204 (204mm x 60mm) is currently the most popular duct size used in domestic central ventilation systems. This is because it is easy to install, is lightweight, has precise joints, a low profile and good airflow performance.

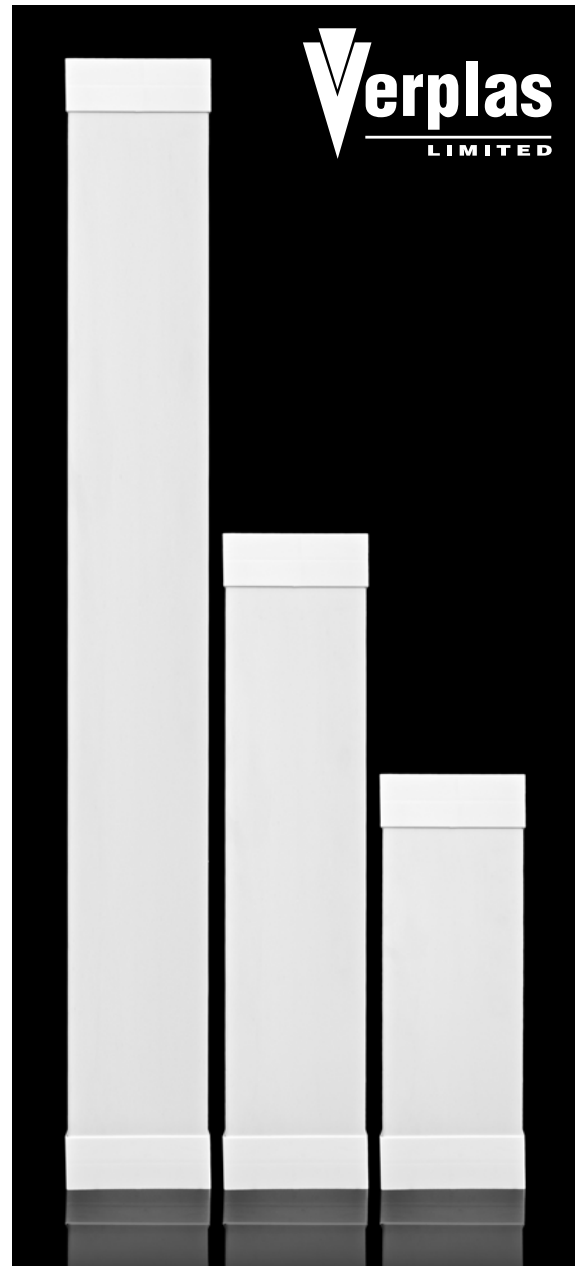
The new System 204 Silencers are available in three different lengths dependant upon the space available and the performance required. The silencers provide superb sound absorption over a wide range of audible frequencies.

For extraction ducting, the silencer should be installed in the ducting before it exits the room space and for supply ducting, before it enters the room space.

If space does not permit this, then install as close as possible to the extract or supply valve or grille.

Building Regulations:

The Verplas System 204 Duct Silencers provide effective attenuation and can be used to achieve noise reduction in ventilation systems as recommended by Document F of the Building Regulations 2010 which came into effect on 1st October 2010.



Code	Description
VKCS660	System 204 Duct Silencer x 500mm
VKCS661	System 204 Duct Silencer x 1.0mtr
VKCS662	System 204 Duct Silencer x 1.5mtr

E & O We reserve the right to alter product specification without prior notice.



The technology behind the lifestyle.